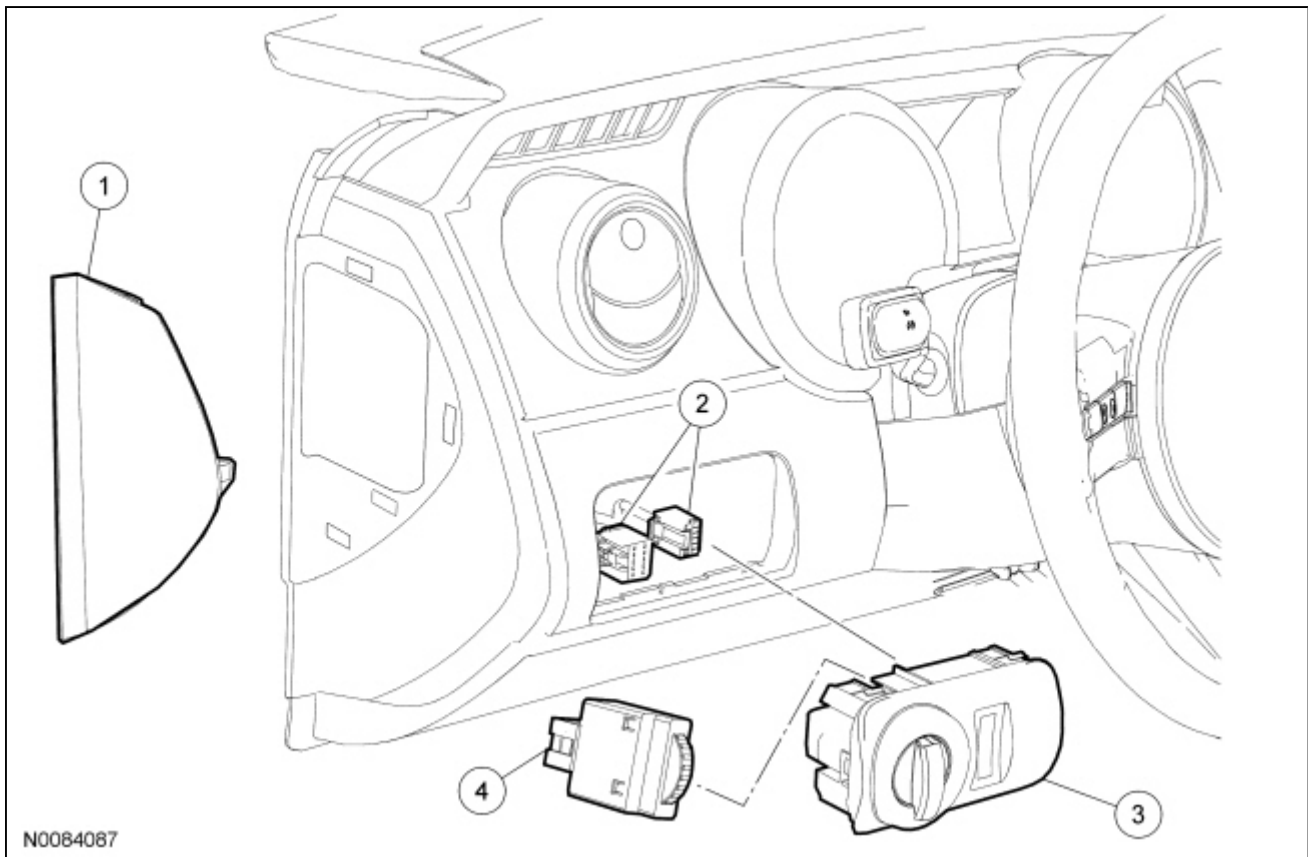


## Instrument Panel Dimmer Switch



Item	Part Number	Description
1	6304481	Instrument panel side finish panel
2	11654	Headlamp switch
3	—	Headlamp switch electrical connectors (part of 14401)
4	11691	Instrument panel dimmer switch

### Removal and Installation

1. Remove the instrument panel side finish panel.
2. **NOTE:** The headlamp switch is removed by pushing from behind.  
Remove the headlamp switch.
  - Disconnect the electrical connectors.
3. **NOTE:** The instrument panel dimmer switch is removed by releasing the tabs and pulling from behind.  
Release the tabs and remove the instrument panel dimmer switch assembly.
4. To install, reverse the removal procedure.

